



## IP67 Waterproof I/O System

The waterproof I/O system is made of nylon material, all filled with glue, reaching the protection level of IP69K. It is waterproof, shockproof, dustproof, and resistant to acid and alkali corrosion. It includes I/O distribution boxes and I/O modules.



The I/O Distribution boxes can be widely used to logistics equipment, I/O modules can be used in harsh environments such as tunnels, sewage, bridges, ships, and mines.

## Industrial Network Switches

BLIIOT offers a variety of industrial switches for customers to choose from. BL16x series industrial switches are designed to meet diverse networking needs and industrial requirements. Customers can select from number of optical/electrical ports, support for gigabit or fast ethernet, managed or unmanaged capabilities, and options for POE or non-POE functionality.

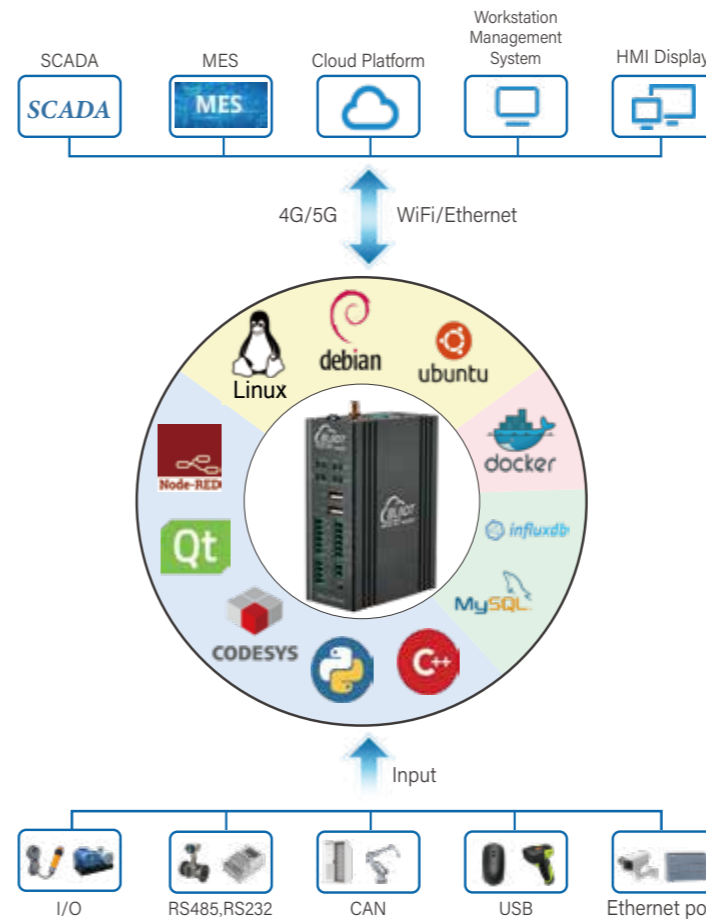


## ARMxy Industrial Computer

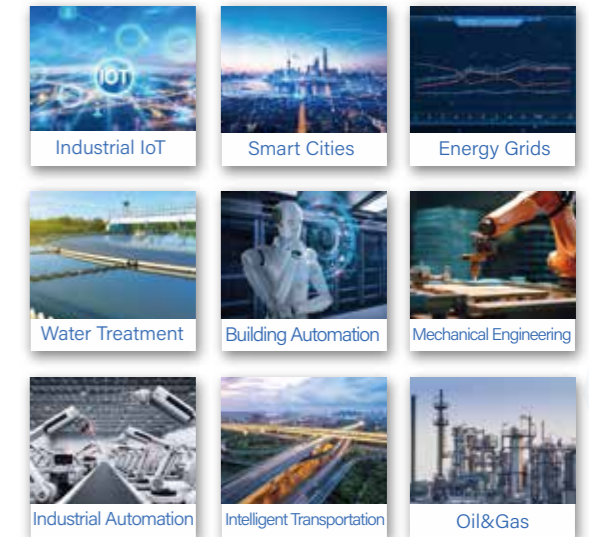
Write a program through Node-RED to get the data to be displayed from the device, upload data to MySQL databases, enterprise-level MES, or cloud platforms for further analysis.



BLIIOT ARMxy as you define it.



## Applications



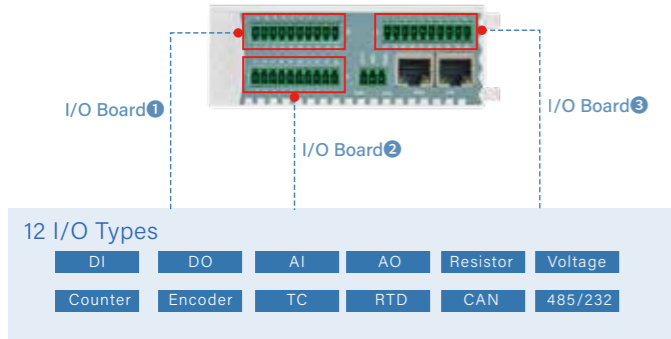
- Industrial Automation I/O System
- Industrial Protocol Converters
- Industrial IoT Gateways
  
- Building Automation I/O System
- Building Automation IoT Gateways
  
- Energy Automation I/O System
- Smart Energy IoT Gateways
  
- 4G IoT RTU&4G Edge Routers
- IoT Gateways for Smart Cities
  
- ARMxy Industrial Computer
  
- IP67 Waterproof I/O System
- Industrial Network Switches

OEM & ODM Services

Shenzhen Beilai Technology Co.,Ltd  
 2F, A2 Building, Fuhai Harbor, Baoan, Shenzhen, China  
 www.bliiot.com Email: Sam@BLIiot.COM  
 0086-755-29451836

# IOy Series Ethernet I/O Modules

IOy is an innovation design, provides 1~3 slots and up to 26 I/O board options, can select the I/O modules by physical interfaces, protocols, and I/O functions. IOy suitable for industry automation, IIoT, IoT, BAS, Power Automation, etc.



# Rugged Ethernet I/O Modules

The rugged Ethernet I/O module adopts a metal shell design, which is suitable for harsh use environments. It can be used in automation equipment, tunnels and other scenarios, compatible with Modbus RTU, Modbus TCP, MQTT, SNMP protocols.



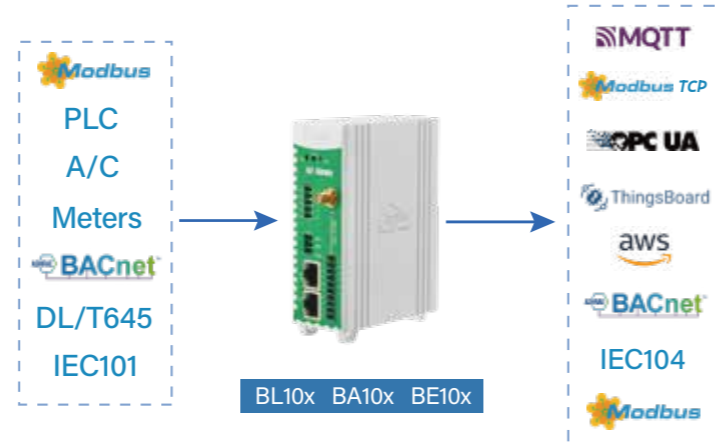
# IIoT Gateways & Protocol Converters

BL12x Industry Protocol Converters



# IIoT Gateways

The IIoT gateway bridges physical devices to the internet, enabling seamless communication, data transfer, and remote monitoring via cloud platforms. With Ethernet, 4G, WiFi, and RS485 support, it offers versatile connectivity for diverse IoT applications.



- BL10x suitable for IIoT, Smart Cities.
- BA10x suitable for BAS, HVAC.
- BE10x suitable for Smart Energy, Smart Grids, Power Automations.

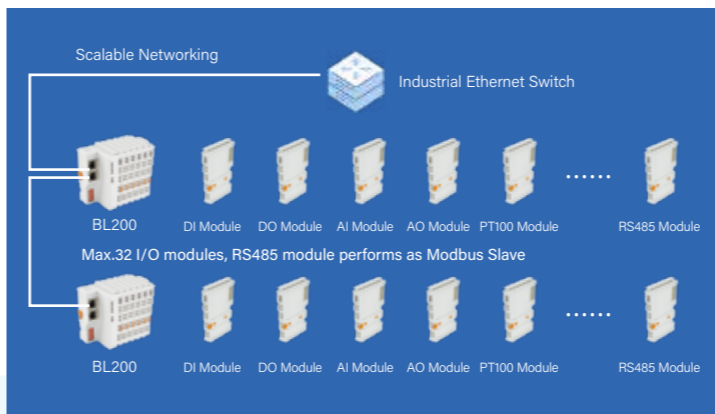
# Distributed I/O System

For Automation, BAS, IIoT, IoT, Smart Energy

BLIIOT BL20x Distributed I/O compatible with standard fieldbus and Ethernet protocols, with a wide range of I/O options. Up to 32 I/O modules with one I/O coupler in any combination.



The EdgelO supports logic control performs as simple PLC features for IoT, IIoT, BAS, Smart Energy, etc.



# 4G IoT M2M RTU&4G Edge Router



S27x and S47x IoT RTU comes with sensory input, control output, and can transfer data to cloud platform or alerts via SMS, it is designed for remote measurement and control system.

R10 and R40 Industrial Edge Router is not just an industrial router that provides WiFi, but also comes with I/O for industrial data acquisition, support Modbus to MQTT protocol conversion and remote monitoring via cloud platform, features Edge computing, programmable logic operations, compatible with SNMP V1/V2 to meet traditional network management system applications.

